



Solar Flybird Light

Come from nature, Light up the future



The wisdom lead us to the success of the future



CONTENT

1. Unique Structure Design	02
2. Core Technologies	04
3. Remote Control	05
4. Light Distribution	06
5. Dimension	07
6. Parameter	08
7. Application	09



Facebook



www.socreat.com

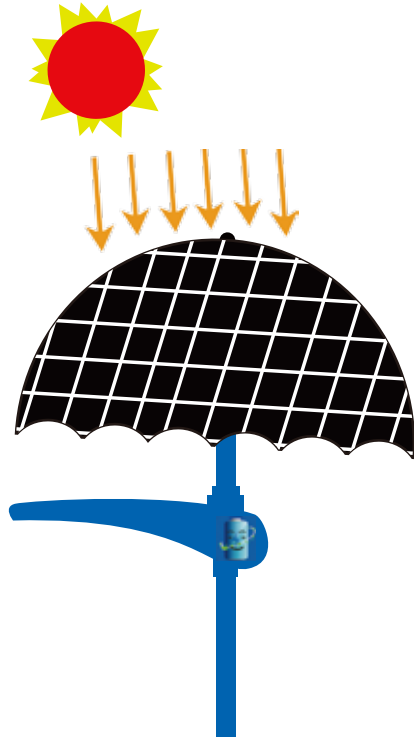
01

Unique Structure Design

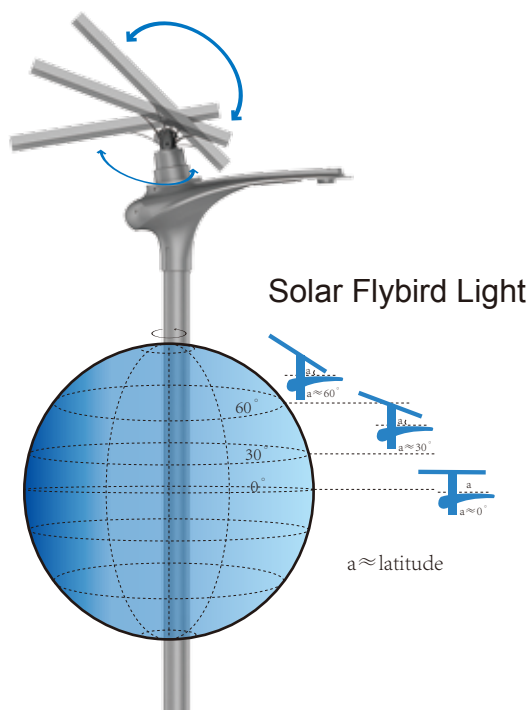
- Integrate the solar panel, led body, battery and controller into whole system. Easy to transport, install and maintain.



- Solar panel looks like an umbrella to protect battery from high temperature and extend the lifetime. Perfectly solve heat dissipation.



- Solar panel can be adjusted manually in vertical and horizontal direction, ensure the maximum efficiency of solar energy.



02

Core Technologies



Unique Integration Design

Easy to transport, install and maintain



Rotating Solar Panel

Solar Panel can be adjusted in vertical and horizontal direction



Light Efficiency Management

Multiple led chip work simultaneously, light efficiency could be 210lm/w



Charge and Discharge Management

Protect battery by software and hardware, supporting battery charge at 0v



Microwave Motion Sensor

Radar controlled, called Doppler effect. More intelligent, energy-saving



Control Mode Management

6 work modes for choice



Patent Bat-wing Lens

Lighting area much wider, the maximum of using the lighting all light the road

03 Remote Control

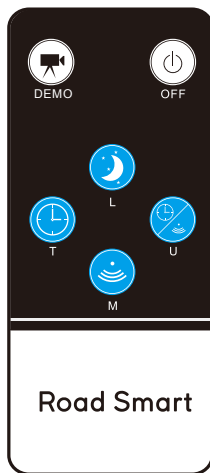
Indicator light status instructions

There are three indicator lights

LED light	Indications	Status	Functions
● Blue 	Charging indication	Long-term On	The solar panel voltage is higher than light control voltage
		Long-term Off	The solar panel voltage is lower than light control voltage
		Fast twinkling	almost fully charged
● RED 	Battery indication	Long-term On	Battery works normally
		Long-term Off	Battery is not connected/No power
		Fast twinkling	Battery is over discharged
● Green 	Load indication	Long-term On	Load is on
		Long-term Off	Load is off

System faults include:
 1. Over discharging of battery.
 2. System overvoltage.
 3. LED load in short circuit.
 4. LED load in open circuit.

6 working modes



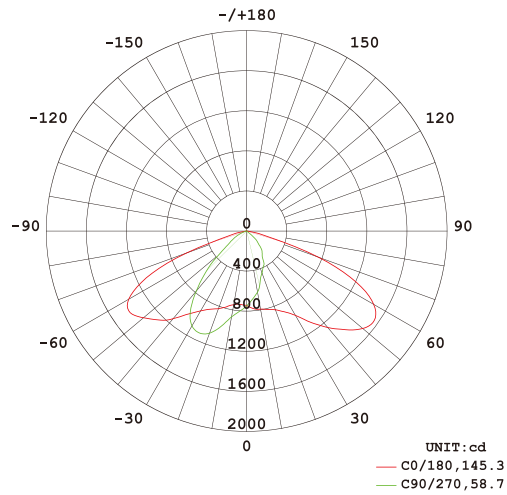
- DEMO:** No matter day or night, light "on" for 1 mintue. Only for test use.
- OFF:** Light "off", no matter day or night.
- L:** At night, 100%-2hr, 70%-2hrs, 30%-dawn.
- T:** At night, 100%-1hr, 70%-2hrs, 40%-3hrs.
- M:** At night, 50%-1hr, 100%-3hrs, 30%-dawn.
- U:** At night, 100%-1hr, 70%-3hrs, then sensor working, 50% if people come, 20% stand-by.

Note:

1. Default is L mode, can choose best mode according to different sunshine condition.
2. The three LED indicator lights will twinkle if modes changing successfully.
3. Once a certain mode was set successfully, it will be reserved until you change other modes with remote control.

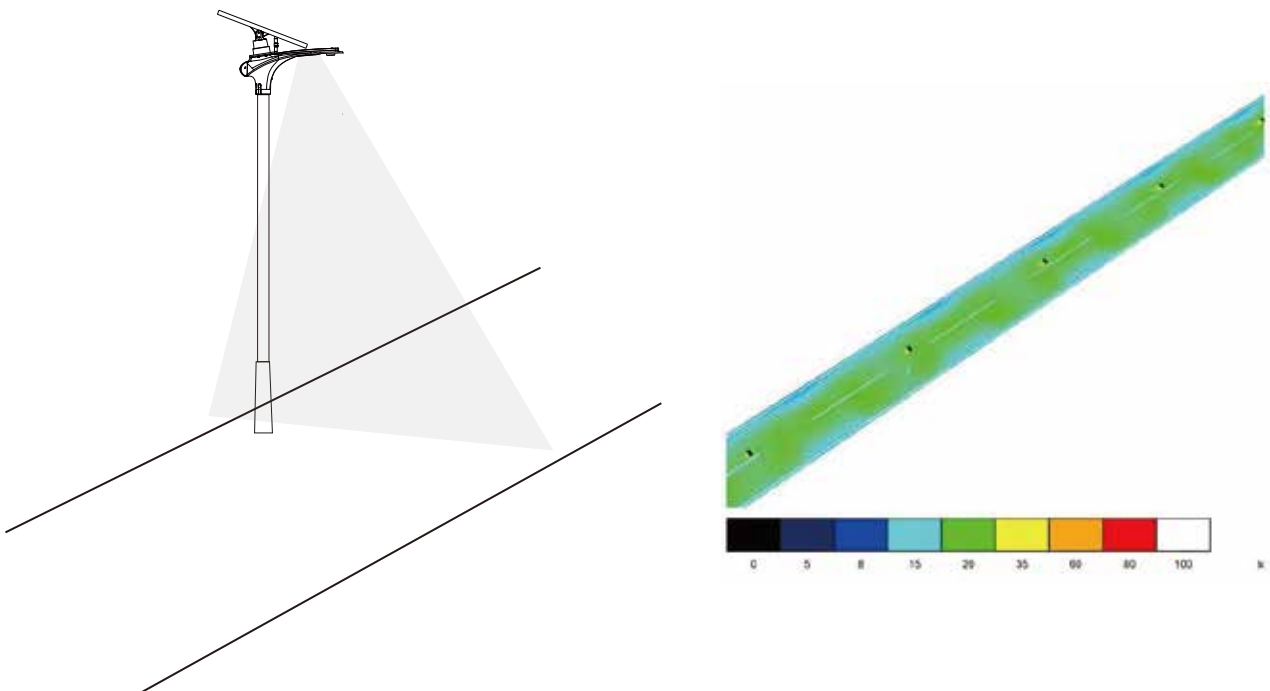
04 Light Distribution

Luminous intensity distribution curves



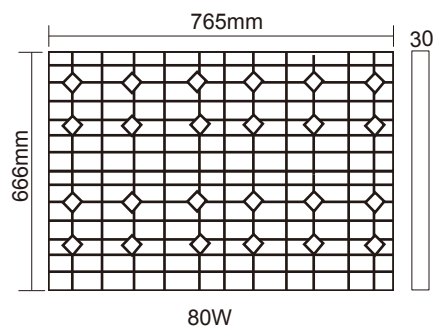
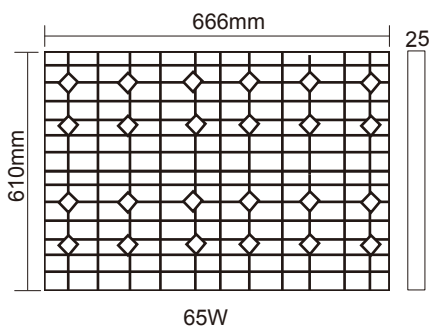
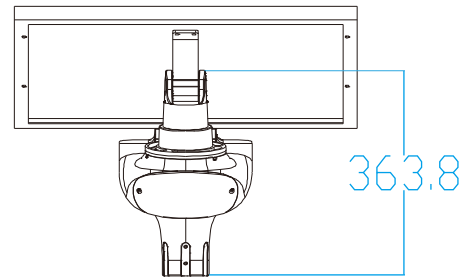
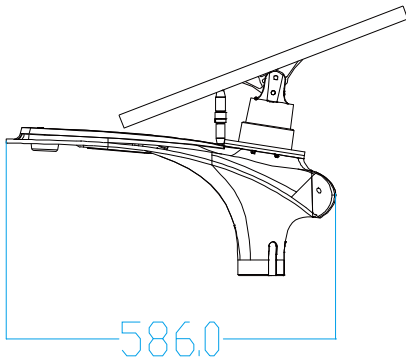
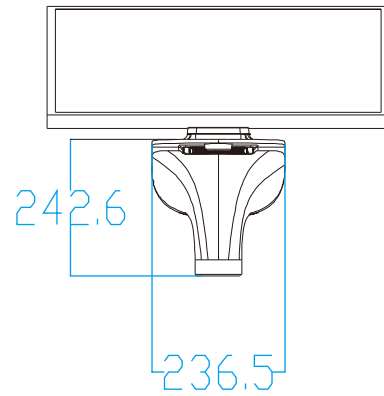
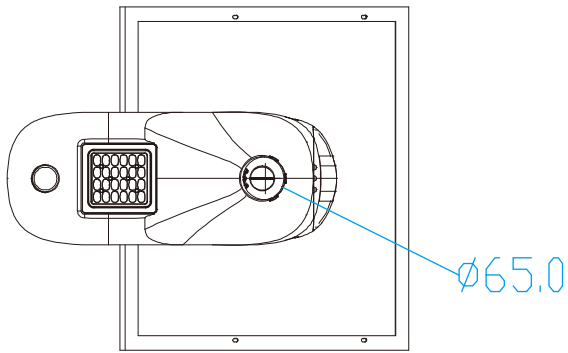
Beam Angle: X-axis: 145° Y-axis: 59°

Bat wing lens with polarized light



05

Dimension



06

Parameter

■ Technical parameter

	Type	RS-FB65-C	RS-FB80-C
Panel	Power	65W/18V	80W/18V
	Material	Mono crystalline silicon	Mono crystalline silicon
	Solar cell efficiency	19-20%	19-20%
Lithium battery	Capacity	195WH	275WH
	Charge cycle times	1200 times	1200 times
Lamp head	Luminous flux	2260lm	3000lm
	Light output	15W	20W
	LED qty	36pcs	
	LED chip	Bridgelux 210lm/w	
	Color temperature	3000-6000K	
	CRI	≥70Ra	
	Material of lamp head	Die-cast aluminum	
	Elevation angle	12° (attention to Dialux use)	
	Lifespan	50000hrs	
System	Light control voltage	5V	
	Light distribution	Batwing lens with polarized light	
	Beam angle	X-axis: 145° Y-axis: 59°	
	Lighting time(full charged)	2-3 rainy days	
	Operation temperature	-20°C~60°C	
Installation	Top diameter of pole	60mm	
	Mounting height	5-6m	
	Installation spacing	10-20m	

07 Application

-  Pathway
-  Village road
-  School
-  Park
-  Villa
-  Parking lots
-  Temple
-  Resort
-  Factory

